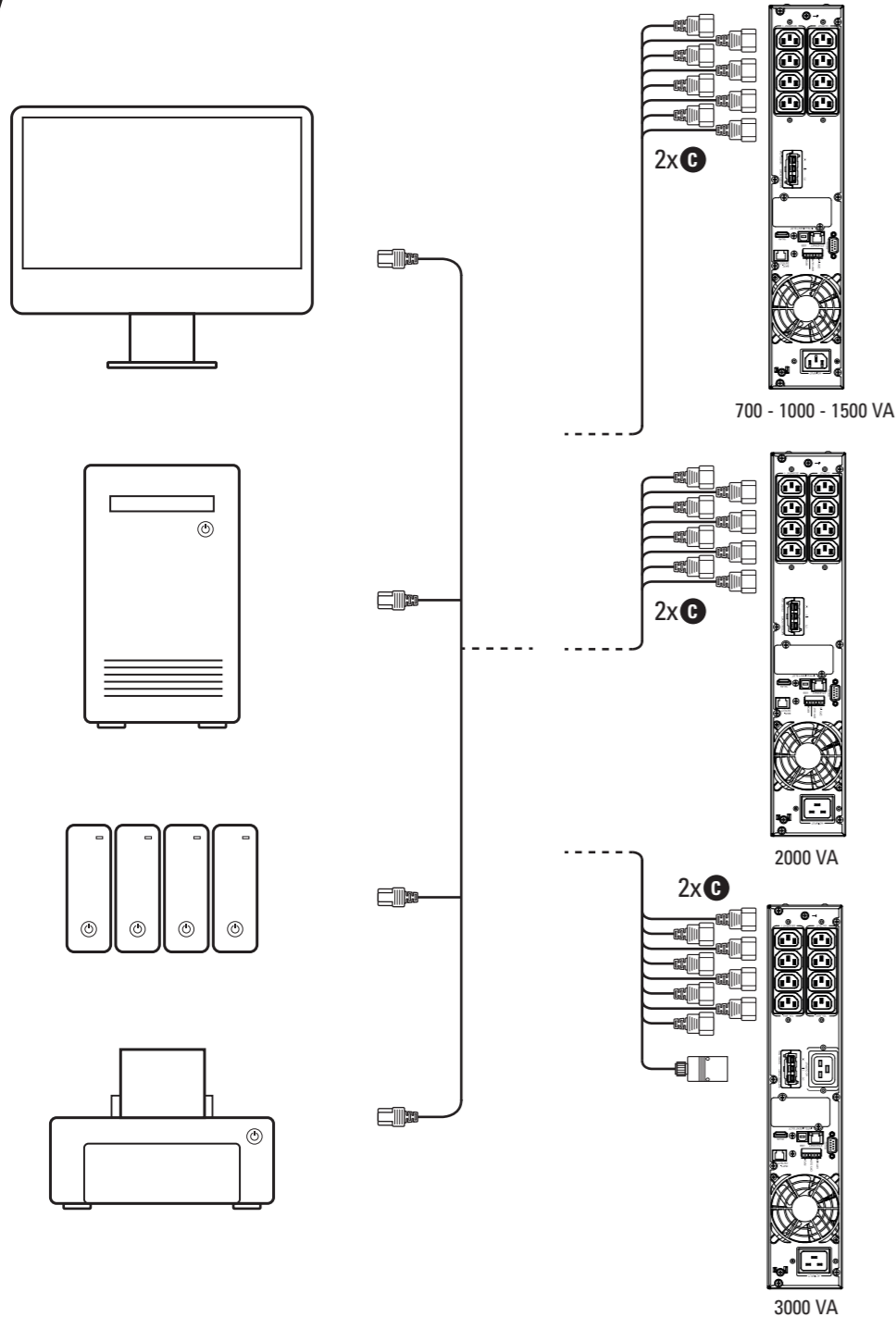
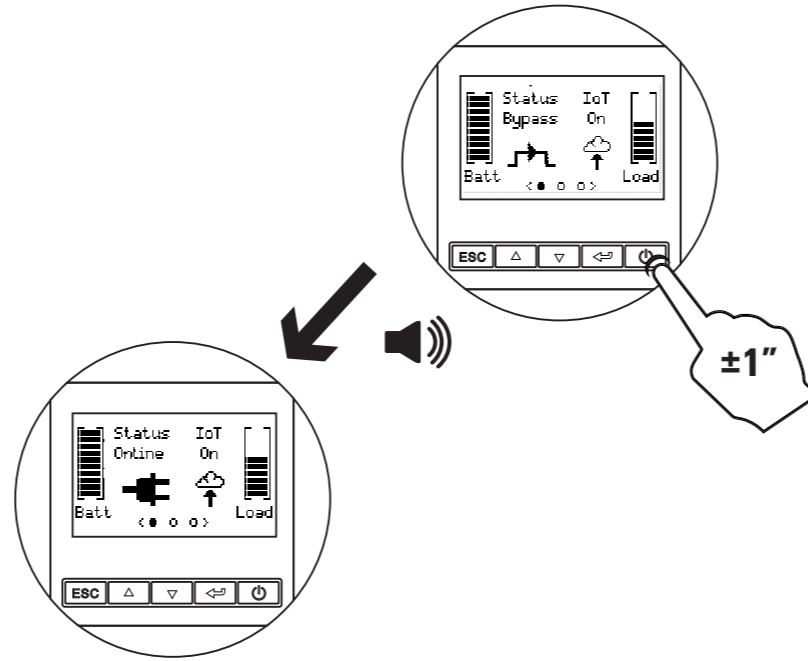


7



8



# SLC TWIN RT3

QUICK START GUIDE  
 GUÍA RÁPIDA  
 GUIDE DE DÉMARRAGE RAPIDE  
 SCHNELLSTARTANLEITUNG  
 GUIA RÁPIDO  
 دليل البدء السريع

- SLC 700 TWIN RT3 (UK)
- SLC 1000 TWIN RT3 (UK)
- SLC 1500 TWIN RT3 (UK)
- SLC 2000 TWIN RT3 (UK)
- SLC 3000 TWIN RT3 (UK)



**1**

[www.salicru.com/safety](http://www.salicru.com/safety)

SAFETY    SEGURIDAD

SÉCURITÉ    SAFETY

SEGURANÇA    سلامة

Download on the

Available on the

SOFT

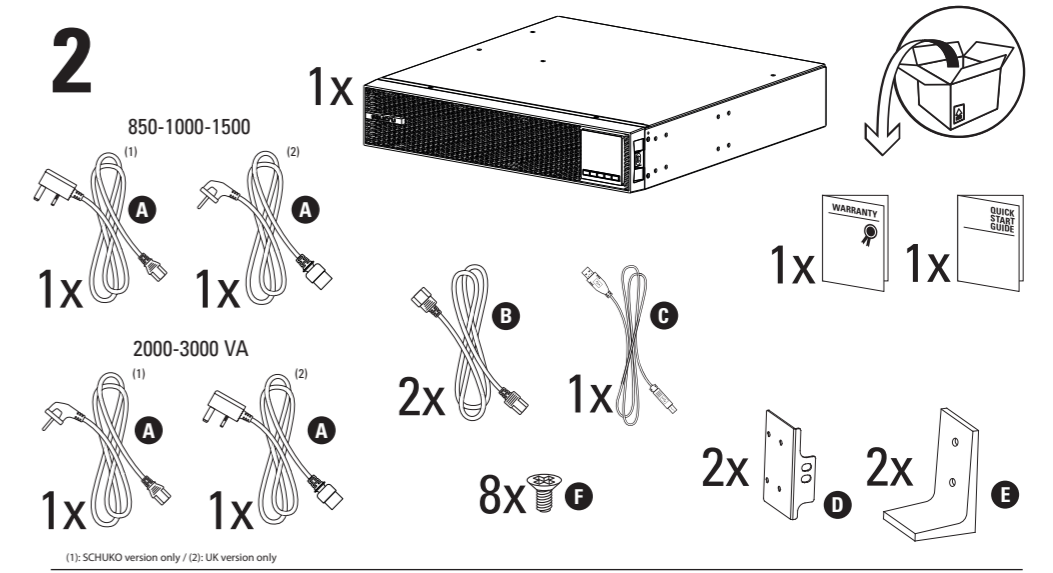
[www.support.salicru.com](http://www.support.salicru.com)

USBHID

[www.support.salicru.com](http://www.support.salicru.com)

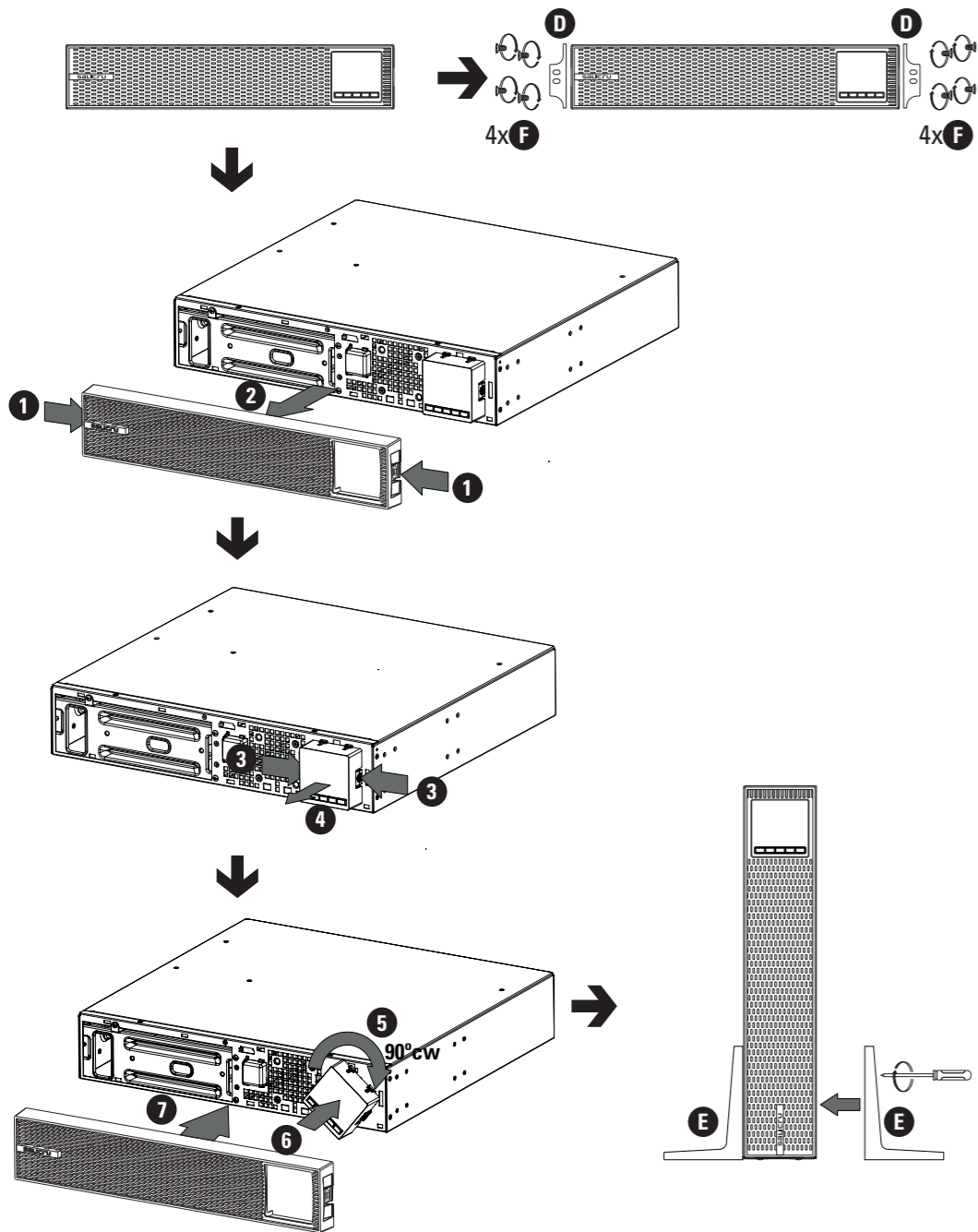
USER'S GUIDE

2

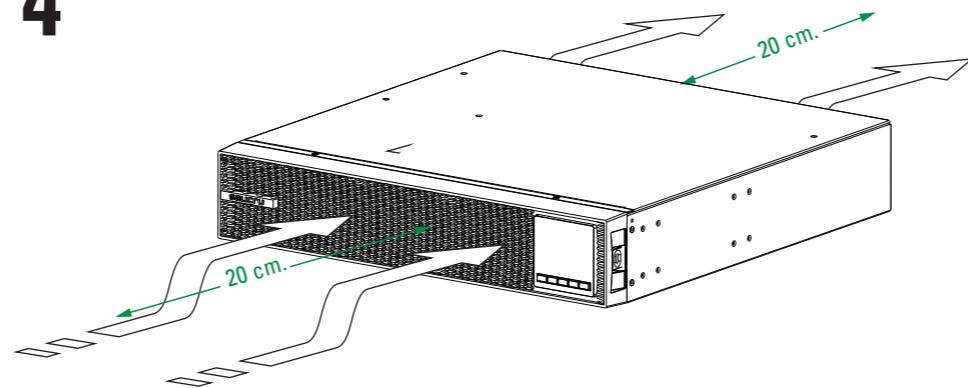


(1): SCHUKO version only / (2): UK version only

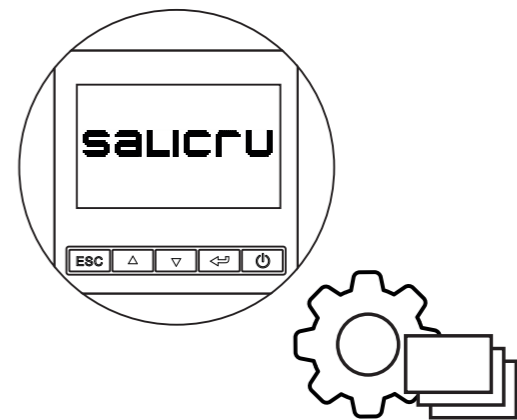
# 3



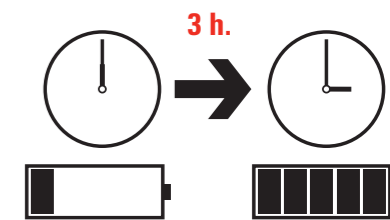
# 4



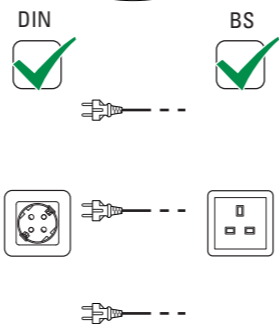
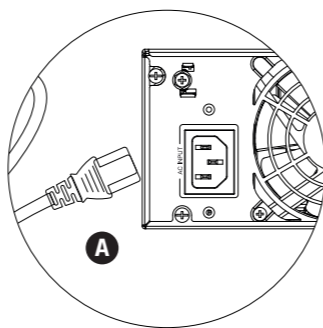
# 5.2



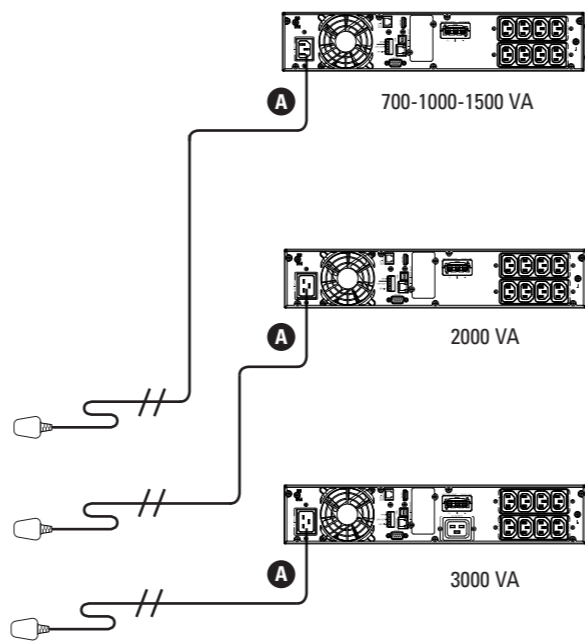
# 5.3



# 5.0



# 5.1



# 6

