

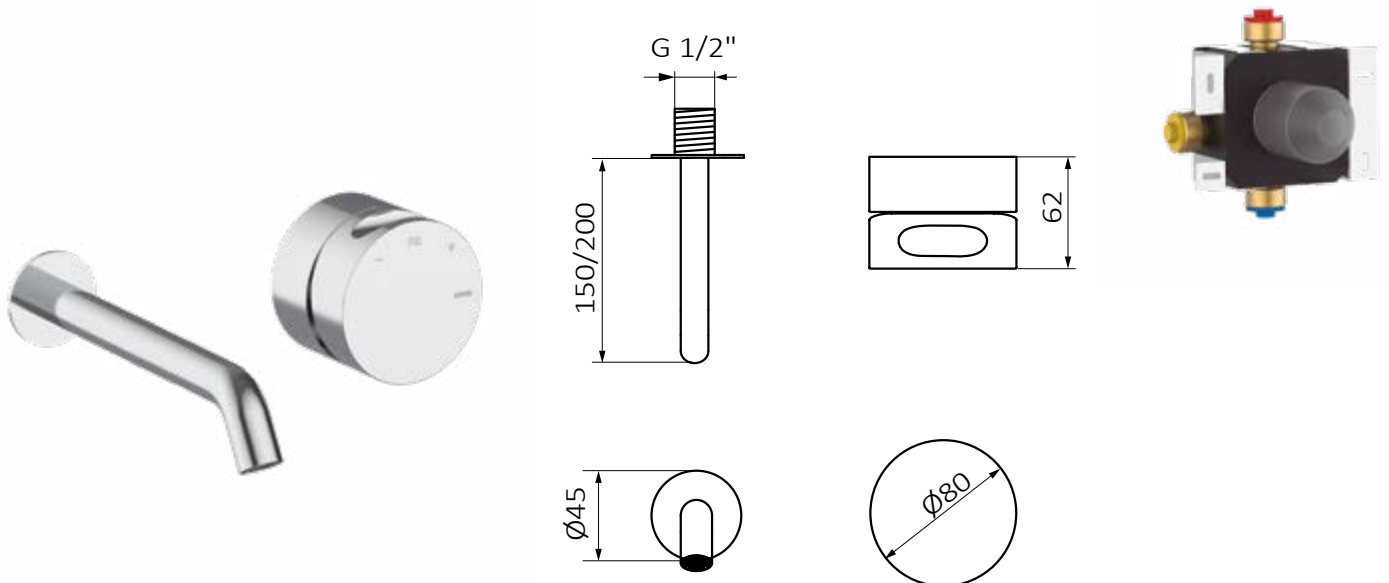
INCOOL

Built-in Wash basin Mixer

1 internal way Spout 150 mm
Chrome- 90 108 000

GRB mixers®

INTERNAL MECHANISM:



5

Collection: **INCOOL** Product: **Built-in Wash basin Mixer Spout 150 mm**

FINISH: **Chrome** CODE: **90 108 000** EAN 13: **8435200273466**

PACKAGED PRODUCT INFORMATION: WEIGHT: **KG** WIDTH: **36,3 CM** LONG: **21 CM** HIGH: **9,3 CM**

LINK ASSEMBLY INSTRUCTIONS: <http://d7rh5s3nxm4p4.cloudfront.net/CMP2592/files/LAV1IN.01.pdf>

ETECHNICAL SPECIFICATIONS

- › RECOMMENDED PRESSURE: 1 to 5 bars
- › MAXIMUM PRESSURE OF USE: 10 bars
- › INLETS: (H) G 1/2"
- › Cartridge Standard mixer
- › Depth in wall min. 13 mm max. 25 mm
- › Do not use the outlets sealed with metal plugs
- › Sensitivity and acoustics according to the norm EN ISO 3822

MATERIAL SPECIFICATIONS

- › Machined brass bodies
- › Coating in Ni-Cr electrolytic bath
- › Metallic handle

USE SPECIFICATIONS

- › $\varnothing 80$ mm handle and $\varnothing 45$ mm spout plate
- › Possibility of placing the handle on the countertop of the bathroom furniture
- › Spout with outlet internal G1/2" male plug for installation
- › 59 mm internal mechanism. Allows tilling from 13 to 25 mm
- › Connections G 3/4" female
- › Depth in wall min. 13 mm max. 25 mm
- › Connections F 1/2
- › Easy-clean aerator. Includes key for maintenance

SPARE PARTS LIST

- › 00006020: Wash basin spout 150 mm