

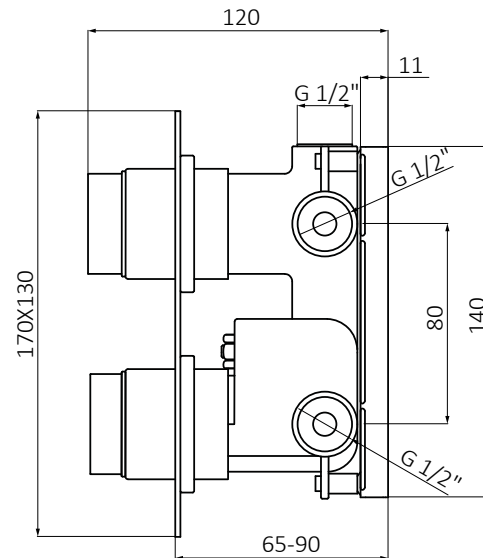
KALA

Built-in thermostatic with shut-off

2 internal ways
Chrome- 142 800

GRB mixers®

INTERNAL MECHANISM:



6

Collection: **KALA** Product: **Built-in thermostatic with shut-off**
FINISH: **Chrome** CODE: **142 800** EAN 13: **8435200029490**

PACKAGED PRODUCT INFORMATION: WEIGHT: **2,736 KG** WIDTH: **20 CM** LONG: **33,5 CM** HIGH: **9 CM**

LINK ASSEMBLY INSTRUCTIONS: http://d7rh5s3nxmpy4.cloudfront.net/CMP2592/files/1/040601.02_MAIL_INSTRUCCIONES_MON_TERM_EMPOTRAR_PARTE_EXTERNA_NUEVA_VERSION.pdf

ETECHNICAL SPECIFICATIONS

- › RECOMMENDED PRESSURE: 1 to 5 bars
- › MAXIMUM PRESSURE OF USE: 10 bars
- › INLETS: (H) G 1/2"
- › OUTLETS: (H) G 1/2"
- › Diverter: In flow handle
- › Cartridge Thermostatic
- › Depth in wall min. 65 mm max. 90 mm
- › Do not use the outlets sealed with metal plugs
- › Metal sheet incorporated in the built-in mechanism. Dimensions: 73x140x10 mm
- › Sensitivity and acoustics according to the norm EN ISO 3822

MATERIAL SPECIFICATIONS

- › Machined brass bodies
- › Coating in Ni-Cr electrolytic bath
- › Metallic handle

USE SPECIFICATIONS

- › Depth in wall min. 65 mm max. 90 mm
- › Connections F 1/2
- › GRB Live Technology, constant temperature. Valid for all hot water supplies
- › Without minimum pressure and without calibration
- › Anti-liming and self-calibrated metallic cartridge, certificated by Aenor
- › Water shut-off system for maintenance
- › Easy accessible filters and check valves

SPARE PARTS LIST

- › 061152: Kala built-in handle 061152: Kala built-in handle 040102: Thermostatic cartridge 040089: Diverter cartridge 2 ways 00055002: Square built-in thermostatic plate 00927100: Dust cover 047039: Built-in thermostatics check valve