

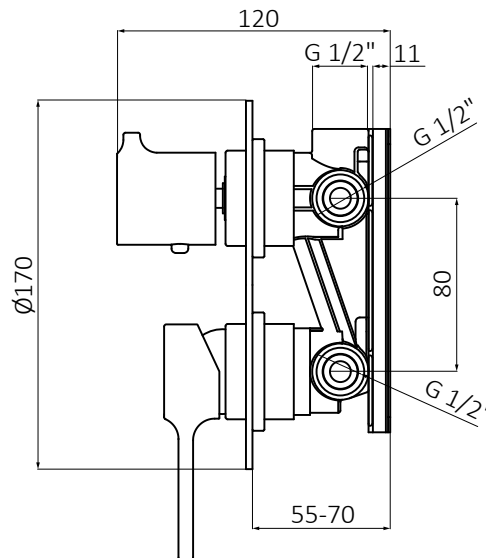
TIME

Built-in mixer with diverter

3 internal ways
Chrome- 47 145 470

GRB mixers®

INTERNAL MECHANISM:



5

Collection: **TIME** Product: **Built-in mixer with diverter**
FINISH: **Chrome** CODE: **47 145 470** EAN 13: **8435200280631**

PACKAGED PRODUCT INFORMATION: WEIGHT: **1,965 KG** WIDTH: **36,3 CM** LONG: **21 CM** HIGH: **9,3 CM**

LINK ASSEMBLY INSTRUCTIONS: http://d7rh5s3nxmpy4.cloudfront.net/CMP2592/files/1/040601.02_MAIL_INSTRUCCIONES_MON_TERM_EMPOTRAR_PARTE_EXTERNA_NUEVA_VERSION.pdf

ETECHNICAL SPECIFICATIONS

- › RECOMMENDED PRESSURE: 1 to 5 bars
- › MAXIMUM PRESSURE OF USE: 10 bars
- › INLETS: (H) G 1/2"
- › OUTLETS: (H) G 1/2"
- › Diverter: Ceramic diverter
- › Cartridge Standard mixer
- › Depth in wall min. 55 mm max. 70 mm
- › Do not use the outlets sealed with metal plugs
- › Metal sheet incorporated in the built-in mechanism. Dimensions: 73x140x10 mm
- › Sensitivity and acoustics according to the norm EN ISO 3822

MATERIAL SPECIFICATIONS

- › Machined brass bodies
- › Coating in Ni-Cr electrolytic bath
- › Metallic handle

USE SPECIFICATIONS

- › Depth in wall min. 55 mm max. 70 mm
- › Connections F 1/2
- › GRB soft technology, perfect cartridge adjustment. System that reduces any residual noise
- › The cartridge transmits user's manual movements in the selection of water flow and temperature.
- › Cartridge made with advanced plastics and composed of high pressure sintered ceramics with great resistance to overuse.
- › With ceramic diverter

SPARE PARTS LIST

- › 00010021: Time Male bath and shower flow handle 00010083: Time mixer handle for wall taps 040016: Mixer cartridge 00005037: Diverter cartridge 3 ways 00245020: Built-in mixer plate 2/3 ways 00917100: Dust cover 080041: Cover built-in