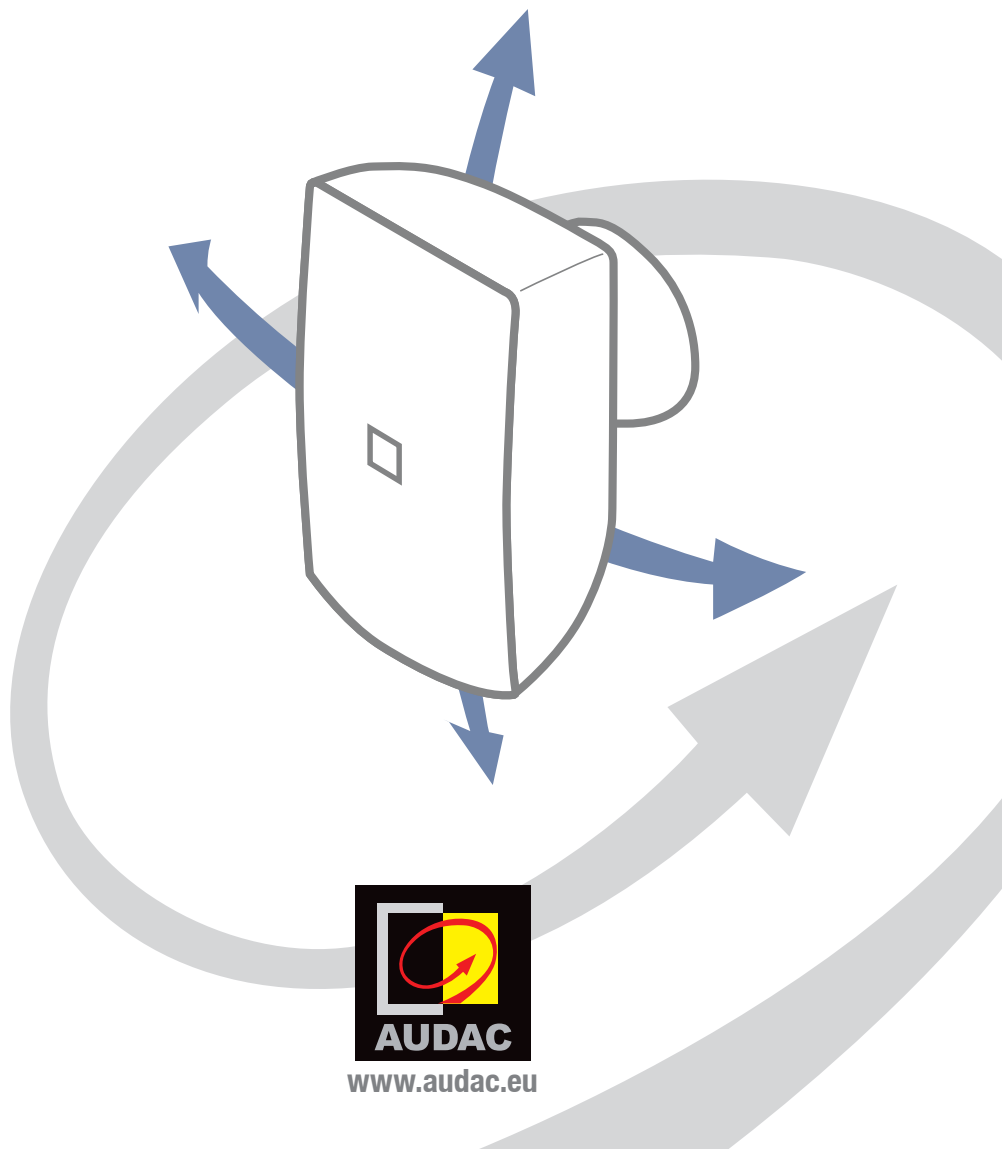


Ateo 4/6

User & Installation Manual



www.audac.eu

Introduction

2–Way speaker with Clevermount™

The ATEO is a series of extraordinary loudspeakers especially designed for fixed install in indoor applications, ranging from modern residential applications to the most demanding designer applications in environments such as retail stores, pubs, restaurants or even clubs.

It features a stunningly designed and elegant looking ABS housing which is fitted with high–quality components. What makes this loudspeaker range so exceptional is the specially designed mounting bracket using the Clevermount™ technology, making the loudspeakers cabinet flow together with the mounting bracket providing a great ease for installing the loudspeaker in one good–looking entity.

The mounting and connection of the loudspeaker simply happens by attaching the included metal wall–plate to the desired location. When mounted, the wires must be connected to the desired terminal of the custom connection block. The desired power tap for 70V/100V or 8 Ω can be selected by picking the right terminal. After this is done, only five seconds of work is left for clipping the loudspeaker onto the wall–plate, tightening the safety screw and you're ready to rock!

This way, it's really child's play to install a large number of loudspeakers in no–time. Even if you're working all alone while people are watching your fingers or when installing the speakers up high, when you're standing on a ladder.

All Ateo series speakers are available in black (/B) or white (/W).

Precautions

READ FOLLOWING INSTRUCTIONS FOR YOUR OWN SAFETY

- ALWAYS KEEP THESE INSTRUCTIONS FOR FUTURE REFERENCE. NEVER THROW THEM AWAY
- ALWAYS HANDLE THIS UNIT WITH CARE
- CLEAN ONLY WITH DRY CLOTH
- HEED ALL WARNINGS AND FOLLOW ALL INSTRUCTIONS
- NEVER EXPOSE THIS EQUIPMENT TO RAIN, MOISTURE, ANY DRIPPING OR SPLASHING LIQUID. AND NEVER PLACE AN OBJECT FILLED WITH LIQUID ON TOP OF THIS DEVICE
- DO NOT INSTALL THIS UNIT NEAR ANY HEAT SOURCES SUCH AS RADIATORS OR OTHER APPARATUS THAT PRODUCE HEAT
- DO NOT PLACE THIS UNIT IN ENVIRONMENTS WITH A HIGH LEVEL OF DUST, HEAT, MOISTURE OR VIBRATION
- THIS UNIT IS DEVELOPED FOR INDOOR USE ONLY. DO NOT USE IT OUTDOORS
- ONLY USE ATTACHMENTS & ACCESSORIES SPECIFIED BY THE MANUFACTURER.
- ONLY INSTALL THE SPEAKER IN LOCATIONS THAT CAN STRUCTURALLY SUPPORT THE WEIGHT OF THE SPEAKER. IGNORING THIS CAN BRING THE SPEAKER DOWN.
- DO NOT USE ANY OTHER METHOD THAN SPECIFIED TO MOUNT THE SPEAKER. IF EXTREME FORCE IS APPLIED TO THE SPEAKER, IT COULD FALL DOWN
- ATTACH A SAFETY WIRE TO THE SPEAKER WHEN IT IS MOUNTED HIGH UP. ONLY USE INDUSTRY-ACCEPTED RIGGING TOOLS AND METHODS
- CAREFULLY CHECK THE UNIT'S CONDITION AFTER UNPACKING. IF THERE IS ANY DAMAGE TO THE CARTON BOX OR THE UNIT ITSELF, INFORM YOUR VENDOR IMMEDIATELY.
- ALWAYS FOLLOW THE LOCAL REGULATIONS AND REQUIREMENTS REGARDING INSTALLATION, SUSPENSION AND CONNECTION OF THIS LOUDSPEAKER. EVEN WHEN OTHERWISE SPECIFIED IN THIS DOCUMENT.
- THE INSTALLATION OF THIS LOUDSPEAKER SHALL BE DONE BY QUALIFIED PERSONNEL ONLY.

CAUTION

- USE CABLES OF THE RIGHT GAUGE TO CONNECT THE LOUDSPEAKER
- USE CABLES WITH CLEAR COLOUR CODING INDICATING THE POLARITY AND MAINTAIN THE SAME POLARITY THROUGHOUT THE WHOLE SYSTEM.
- ONLY USE THE CORRECT AMPLIFIER OUTPUT VOLTAGE AND IMPEDANCE. EXCEEDING THESE LIMITS COULD CAUSE FIRE OR OTHER FAILURES.
- AVOID EXPLOSIONS: DO NOT USE THE SPEAKER AROUND GASOLINE, THINNER OR OTHER COMBUSTIBLES
- AVOID ELECTRIC SHOCKS: SWITCH OFF THE AMPLIFIER WHEN CONNECTING THE LOUDSPEAKER
- DO NOT USE THE LOUDSPEAKER FOR AN EXTENDED PERIOD OF TIME AT DISTORTED SOUND. THIS COULD CAUSE PERMANENT DAMAGE.



CAUTION – SERVICING

This product contains no user serviceable parts. Refer all servicing to qualified service personnel. Do not perform any servicing (unless you are qualified to do so.)



EC DECLARATION OF CONFORMITY

This product conforms to all the essential requirements and further relevant specifications described in following directives: 2014/30/EU (EMC) and 2014/35/EU (LVD)



WASTE ELECTRICAL AND ELECTRONIC EQUIPMENT (WEEE)

The WEEE marking indicates that this product should not be disposed with regular household waste at the end of its product life. This regulation is created to protect both the environment and human health.

This product is developed and manufactured with high quality materials and components which can be recycled and/or reused. Please dispose this product to your local collection point or recycling centre for electrical and electronic waste. This will make to sure that it will be recycled on an environmentally friendly manner, and will help to protect the environment in which we all live.

Installing the ATEO Clevermount™ Technology

Every Ateo speaker uses the unique Clevermount™ technology, making the loudspeakers cabinet flow together with the mounting bracket and providing a great ease for installing the loudspeaker in one good-looking entity.

Using this technology, the speaker can be installed at any location in both a horizontal and vertical way, providing the possibility for pointing the speaker into the desired direction, even after the speaker is already mounted and connected.

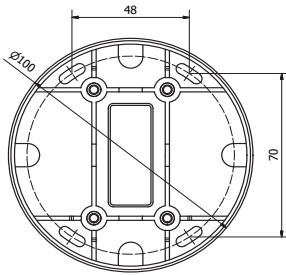
The horizontal installation method provides an additional advantage when the installation height on the wall or ceiling is limited, while the directional capabilities make it easy to determine and adjust the distribution of sound throughout the area.

The installation of the loudspeaker should be done according to a simple 5-step procedure, which is described below:

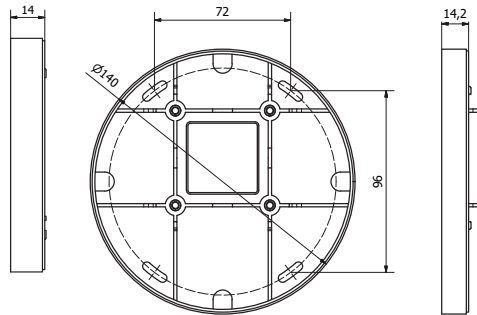
Optional step: Cable adapter plate

In most cases, the speaker cable is provided through the wall on the position where the speaker will be installed, making the cable completely invisible from the exterior.

In situations where the cabling is not provided through the wall or on the exact position, the included cable adapter plate can be used. After opening one of the cable slots on the outer sides, the cable can be inserted through it and the adapter plate can be mounted onto the wall. Afterwards, the included metal Clevermount™ plate can be assembled to the adapter plate through the four included bolts.



ATE04 Cable adapter

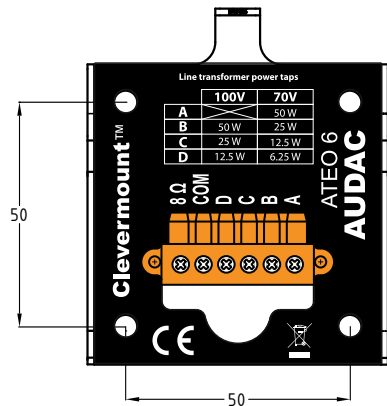
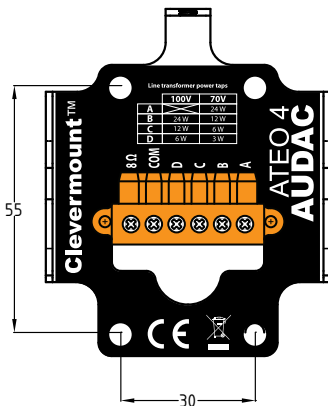


ATE06 Cable adapter

The optional WMA40/60 can also be used for adding an extra 30° angle to the standard incline angle of the ATEO speakers. This bracket opens the possibility to place the speaker horizontally or vertically in an angle up to 60° and ensure a perfect sound experience. The bracket extends the CleverMount™ technology by complementing the flow from the speaker cabinet to its bracket and maintain the ease for installing the loudspeaker in one good-looking entity.

Step 1: Attach the wall plate

The first step (if no mounting accessories are required) is mounting the supplied wall plate to the desired location on the wall. The wall plate has to be fixed by four screws in a quadrangular shape. The mutual distance is 30 mm horizontally and 55 mm vertically for the ATE04 and 50 mm horizontally and 50 mm vertically for the ATE06 as indicated in the following drawing. The used fasteners should be chosen depending to the mounting surface (brick, concrete, wood, ...)



Step 2: Make the connections

After the wall plate is installed, the connections can be made. The Ateo speaker can be connected in low impedance (8 Ω) or high impedance (70/100V) systems. For use in high impedance (70/100V) systems, various power tappings can be selected.

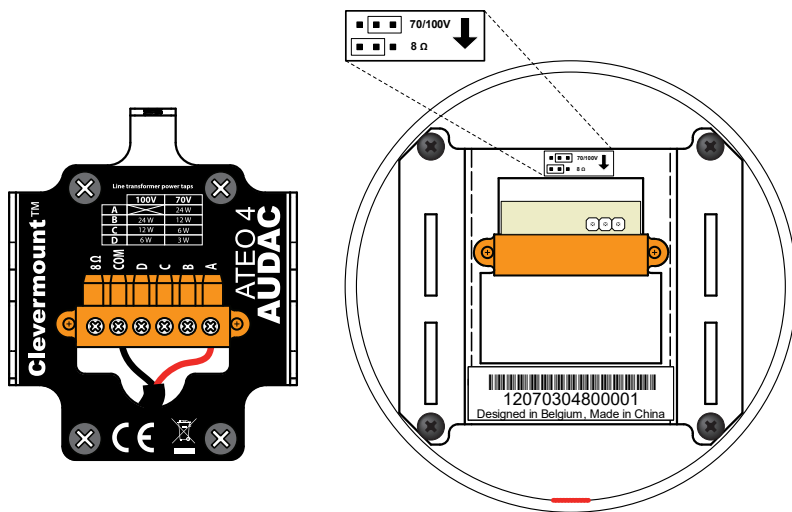
The wires coming from the amplifier shall be connected to the corresponding terminals of the special 6-pin terminal block connector on the wall plate. The common ('COM' or '-') output of the amplifier should always be connected to the 'COM' terminal of the connector, while the positive ('Sig' or '+') should be connected to one of the other terminals, depending of the power or impedance.

Depending whether the speaker will be used in 8Ω or 70/100V applications, a jumper on the rear side of the loudspeaker shall be placed in the correct position. When using the speaker in 8Ω applications, the jumper should be placed in left position, while using in 70/100V applications, the jumper should be placed in the right position.

When using in constant voltage 70V/100V systems, the power taps can be adjusted in 4 steps of impedance through selection of the correct connection terminals indicated with A, B, C & D. Each position corresponds with a specific impedance / power setting indicated on a label on the wall plate and in the table below.

Tapping	ATE04			ATE06		
	100V	70V	Imp.	100V	70V	Imp
A	DO NOT USE	24 W	208 Ω	DO NOT USE	50 W	100 Ω
B	24 W	12 W	417 Ω	50 W	25 W	200 Ω
C	12 W	6 W	833 Ω	25 W	12.5 W	400 Ω
D	6 W	3 W	1667 Ω	12.5 W	6.25 W	800 Ω

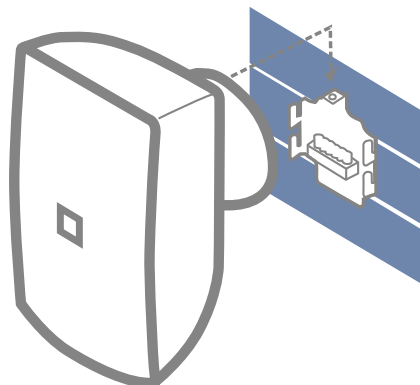
Mind the polarity markings when wiring the loudspeaker cables.



Step 3: Attach the speaker

After the wall plate is mounted and the wires are connected, the loudspeaker can be fixed to the wall plate. This should be done by sliding the hooks of the wall plate into the slots on the back side of the speaker, followed by a downwards movement of the loudspeaker (about 1 cm). Now, the loudspeaker is fixed and connected.

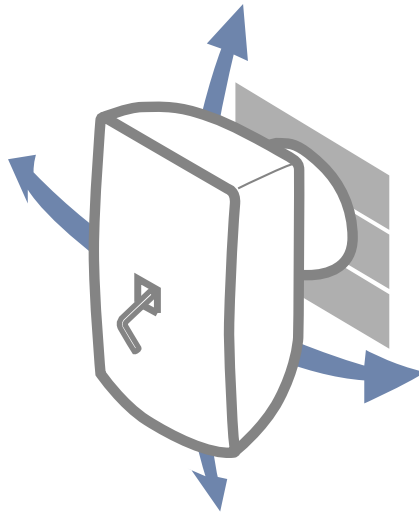
To prevent the loudspeaker from falling down under any circumstance, the security screw on top of the circular bracket should be tightened.



Step 4: Position the loudspeaker

The last step in the mounting procedure of the speaker is pointing it into the desired direction. This can be done after (carefully) removing the logo in the center of the front grill and untightening the allen–key bolt which is located behind it. After this bolt is untightened by a few turns, the speaker will be in a free state, making it possible to move it into the left (30°), right (30°), up (5°) and down (30°) position. It can also be rotated from vertical to horizontal position (rotate counter–clockwise).

Once the speaker is placed in position and pointing into the right direction, it can be locked by tightening the allen–key bolt. Subsequently the logo should be placed again in front of the allen–key bolt.



Step 5: Enjoy the music!

After the Ateo loudspeakers have been installed correctly, you deserve to have a short break, relax and enjoy the sound of the Ateo speakers!

Additional Information

Technical specifications

		ATE04MK2	ATE06
Max Power		70 Watt	120 Watt
RMS Power		35 Watt	60 Watt
Nominal impedance		8 Ohm	8 Ohm
Line Transformer Taps		208 Ω – 70V/24W 417 Ω – 100V/24W – 70V/12W 833 Ω – 100V/12W – 70V/6W 1667 Ω – 100V/6W – 70V/3W	100 Ω – 70V/50W 200 Ω – 100V/50W – 70V/25W 400 Ω – 100V/25W – 70V/12.5W 800 Ω – 100V/12.5W – 70V/6.25W
Sensitivity (1W/1m)		86 dB	89 dB
Sound Pressure (Max W/1m) @ 8 Ohm		101 dB	106 dB
Sound Pressure (Max W/1m) @ 70/100 V		100 dB	105 dB
Frequency Response (± 3 dB)		100 Hz – 20 kHz	65 Hz – 20 kHz
Drivers		1" HF Dome tweeter 4" MF / LF Woofer	1" HF Dome tweeter 6" MF / LF Woofer
Connectors		6–pin custom Terminal–Block	6–pin custom Terminal–Block
Mounting bracket		Clevermount™	Clevermount™
Construction		ABS	ABS
Front finish		Fine perforated steel grill	Fine perforated steel grill
Ingress protection		IP3x	IP3x
Operation temperature range		–20°C to +50°C	–20°C to +50°C
Incline Angle	Left & Right	0° ~ 30°	0° ~ 30°
	Bottom	0° ~ 30°	0° ~ 30°
	Top	0° ~ 5°	0° ~ 5°
Colour	White	ATE04MK2/W (RAL9003)	ATE06/W (RAL9003)
	Black	ATE04MK2/B (RAL9005)	ATE06/B (RAL9005)
Dimensions (W x H x D)		136 x 244 x 153 mm	1931 x 347.5 x 215.2 mm
Weight		2.05 Kg	3.82 Kg

Packaging	Carton box (pair)	Carton box (pair)
Shipping weight & Volume	4.95 Kg – 0.016 Cbm (pair)	8.2 Kg – 0.042 Cbm (pair)
Accessories included	Allen–key wrench Cable adapter plate	Allen–key wrench Cable adapter plate
Optional accessories	WMA40 30° extension mount	WMA60 30° extension mount

Notes
